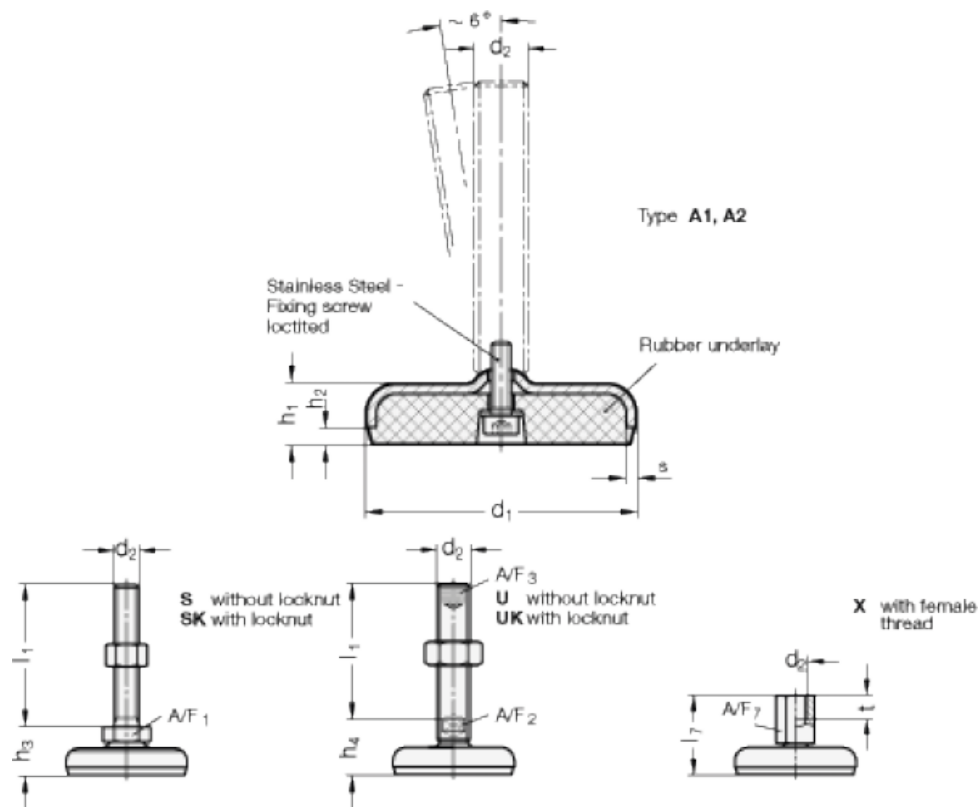


Data Sheet



Article number: 2030100M1249A1X
Description: E+G levelling foot
GN 30-100-M12-49-A1-X
Note: X With female thread, Wxternal hexagon

Measures



A/F7 = 17
d1 = 100
d2 = M12
h1 = 22
h2 = 6
h7 = 49
s = 3
t = 12